

# Fail-locked 118F

## Technical attributes



### Minimum fitting size - maximum effect

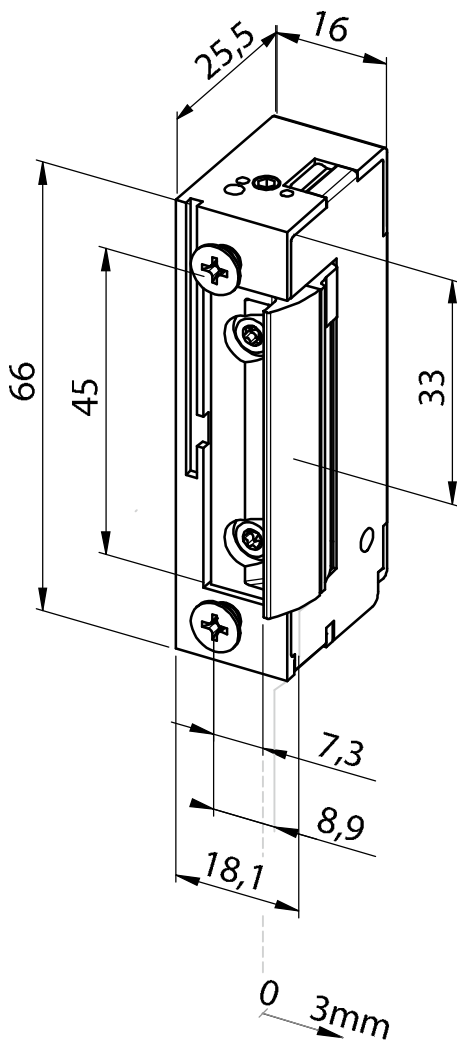
#### effeff Fire-rated Electric Strike 118F with FaFix® (FF)

Model with basic equipment. Also useable as a heavy-duty electric strike.

### The advantages at a glance

- Radius keep, FaFix®, adjustable by 3 mm
- FaFix® latch adjustable in 0,5 mm increments
- Universal voltage
- Screw-in Terminal / plug-in connection
- Symmetrical design. DIN left/right as well as horizontal applicable

Electrical data	10-24 V AC/DC	22-42 V AC/DC
Continuous duty	11-13 V DC	22-26 V DC
Rated resistance	43 Ω	200 Ω
AC current consumption	250 mA (12V) 500 mA (24V)	60 mA (24V)
Current consumption DC (stabilised)	280 mA (12V) 560 mA (24V)	120 mA (24V)
Max. latch preload AC	200 N (12V) >350 N (24V)	200 N (24V) >350 N (42V)
Max. latch preload DC (stabilised)	50 N (12V) 200 N (24V)	50 N (24V) 200 N (42V)



Characteristics	
Adjustable latch (FF, FaFix®)	•
Adjustable electric strike (F, Fix)	•
Monitoring contact (RR)	
Bi-directional diode	•
Fail-locked	•

DIN door swing directions	
Universal	1

Voltage	
10-24 V AC/DC	A7
22-42 V AC/DC	B7

Order no.	
118F-----	** 1

Technical attributes	
Break-in resistance	9000 N
Height	66 mm
Width	16 mm
Depth	25,5 mm
FaFix® adjustment range	3 mm
Latch bolt engaging depth	6 mm
Installation position	vertical and horizontal
Load cycles for in-plant test	250000
Operating temperature range	-15 °C to +40 °C
Suitability for fire protection	Yes
Test certificate number	P-120003624